
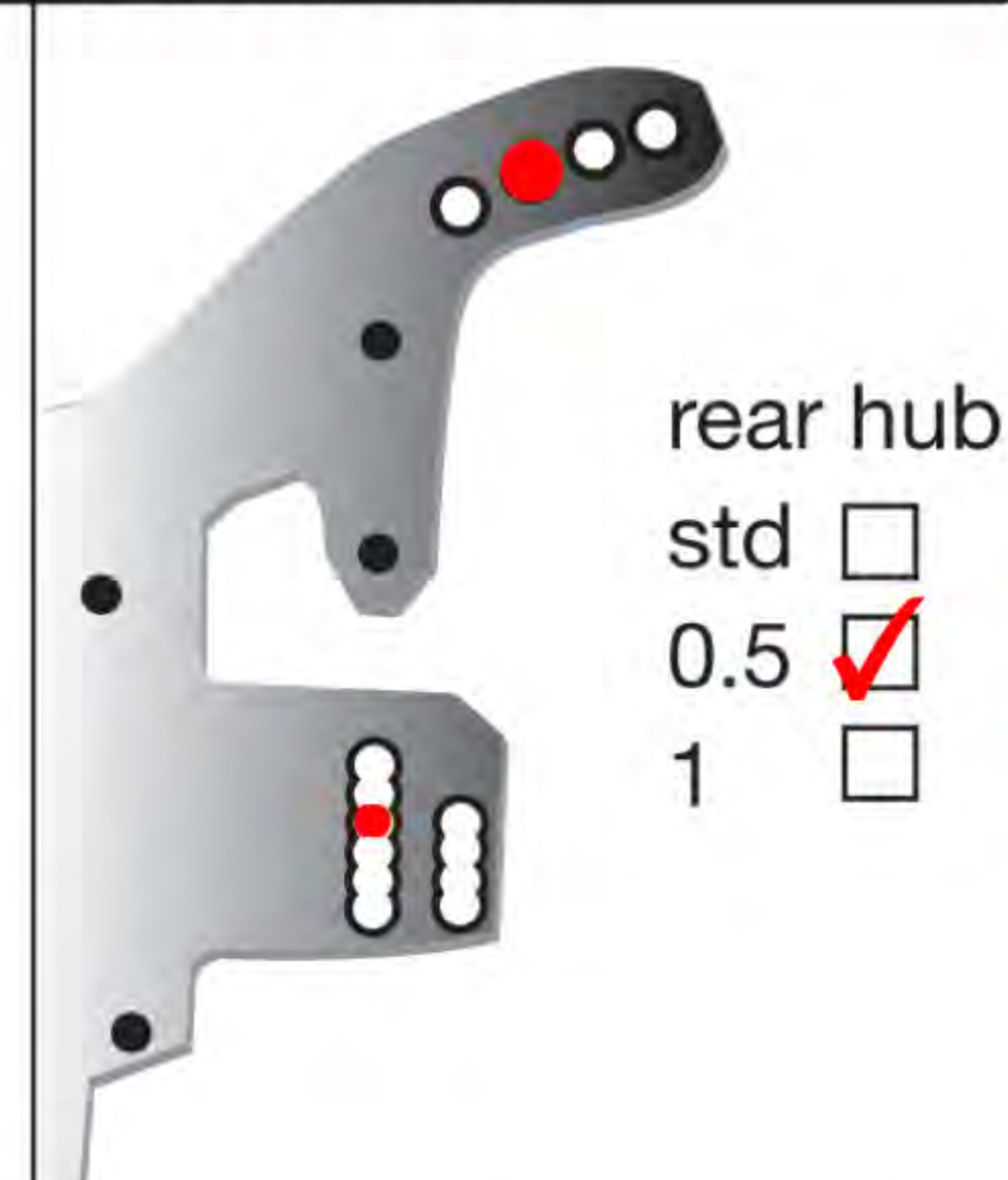




CENTRO C4.1

DRIVER: Neil Cragg
TRACK: Worksop
SURFACE: _____
DATE: _____

Front End		Rear End	
	toe: <u>+1</u> camber: <u>-1</u> ride height: <u>22</u> mm		toe: <u>-1</u> camber: <u>-1</u> ride height: <u>22</u> mm anti-squat: <u>1.0</u> deg
washers: <u>0</u>		rear hub carrier std <input type="checkbox"/> 0.5 <input checked="" type="checkbox"/> 1 <input type="checkbox"/>	
	axle height up <input type="checkbox"/> 20 <input type="checkbox"/> middle <input checked="" type="checkbox"/> 25 <input type="checkbox"/> down <input type="checkbox"/> 30 <input checked="" type="checkbox"/>		wheel base long <input type="checkbox"/> medium <input checked="" type="checkbox"/> short <input type="checkbox"/>

Editable by Arn0 at PetitRC.com

Front Shocks	Rear Shocks
spring <u>Kosh Silver</u> piston <u>AE No 2</u> shock oil <u>30 wt</u> limiter <u>4</u>	spring <u>Kosh Blue</u> piston <u>AE No 1</u> shock oil <u>30 wt</u> limiter <u>1</u>

Front Tires	Rear Tires
tire: <u>Minipin</u> compound: <u>Yellow</u> insert: <u>KWF</u> wheel: <u>AE STD</u>	tire: <u>Minipin</u> compound: <u>Yellow</u> insert: <u>KWF</u> wheel: <u>AE STD</u>

Electronics	
motor & wind: <u>7.5</u>	throttle/ brake epa: _____ / _____
pinion: <u>23t</u> spur gear: <u>78t</u>	throttle/ brake expo: _____ / _____
batteries: _____ placement: _____	esc: _____ throttle profile: _____
radio: _____ servo/ expo: _____ / _____	initial brake _____ drag brake: _____

Body/Wing	Differential
body/ wing: <u>Prototype cab forward</u>	gear differential/ oil: _____ / _____
notes: _____	ball differential/ setting: _____ / _____

Race/ Car/ Notes	Weight distribution
qualify: _____ main: _____ finish: _____	bulkhead option weights
<i>0.5 rear hubs on the opposite way</i>	std <input type="checkbox"/> ackerman <input type="checkbox"/> lipo holders <input type="checkbox"/>
<i>Centro 20G brass bulkhead</i>	brass <input checked="" type="checkbox"/> under bellcrank <input checked="" type="checkbox"/> rear arm mount <input type="checkbox"/>
<i>Centro 10G brass bell crank weight</i>	alloy <input type="checkbox"/>
<i>5g in space in bulkhead under bumper</i>	bulkhead weights
<i>7g on front plate in between front tower</i>	5g <input checked="" type="checkbox"/>
<i>lowered rear wing, level with shock screws</i>	10g <input type="checkbox"/>
<i>Carbon side braces</i>	15g <input checked="" type="checkbox"/>

